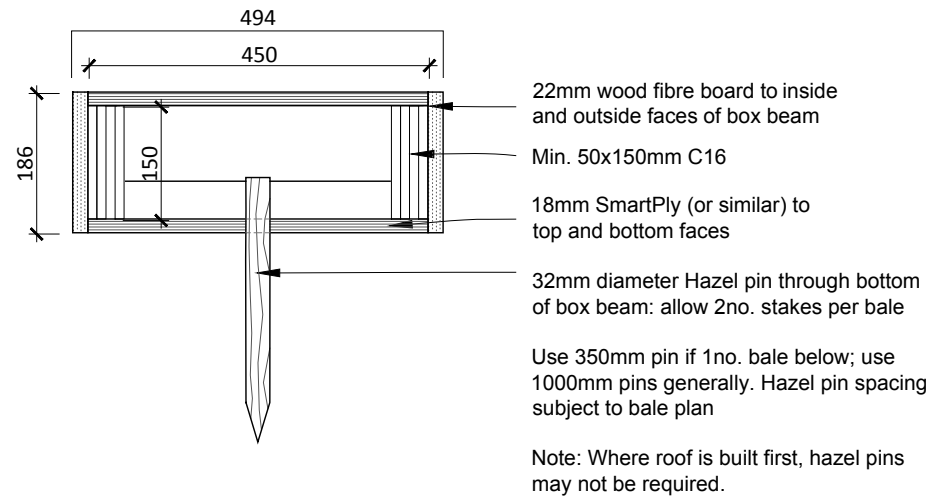


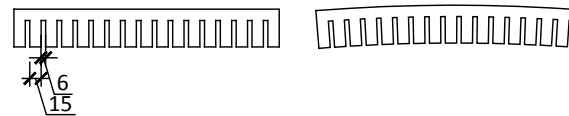
Roofplate Plan

Roofplate Section



Alternative option for curving timber when not too tight a curve

Use lengths of timber of correct height, cut a series of notches in the back with a circular saw. This will help it bend.



General Notes:

All joints in timber or SmartPly to be staggered and at least 600mm apart.
Timber sizes, relate to size of openings below & load being carried. May be up to 250mm, fitch beams may be required over openings or timbers may need to be doubled up for extra strength.

SmartPly to be glued with Cascamite and nailed with ringshanks top and bottom.
All board to be exterior grade.

Wood fibre board to cover all joints to create air tight layer and form substrate for clay plaster/lime render.
Do not joint timbers directly above an opening below, unless using curved laminated beams.

All timber sizes should be verified for strength by a competent person before construction.

Hazel pin Location:

Holes for hazel pin to be located approximately at $\frac{1}{3}$ points of each bale, 2no. pin per bale. Where this falls close to a noggin, move hole next to noggin.

Where hole falls between noggins, add extra 100x50mm noggin laid flat on bottom of box with hole through for hazel.

Hazel can be inserted through SmartPly only, as long as it is next to a noggin. Where hazel is not next to noggin, it must also go through a flat noggin on base of box.