

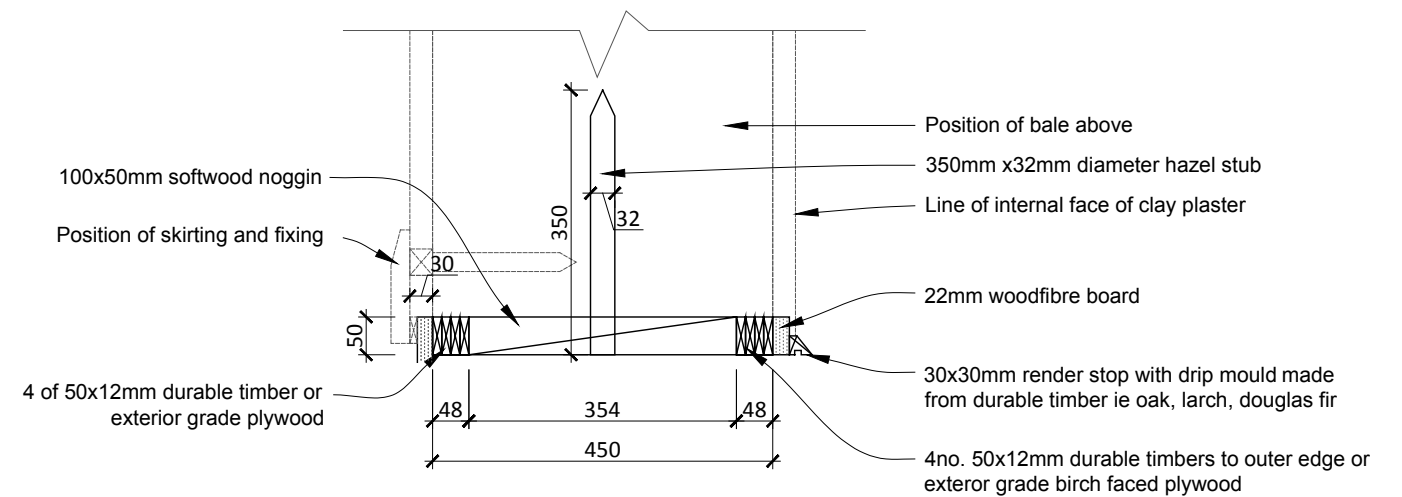
Plan at door/ window opening

Notes:

All joints of timber or smartply to be staggered and at least 600mm apart.

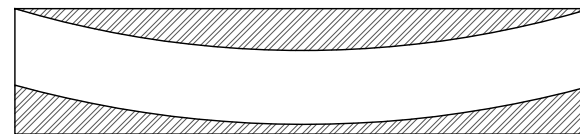
Smartply to be glued and nailed with ringshanks top and bottom of roof plate.

For guidance only: all timber sizes and strength classes to be verified with Structural Engineer



Alternative method of making baseplate

Cut curves from larger timber



Section